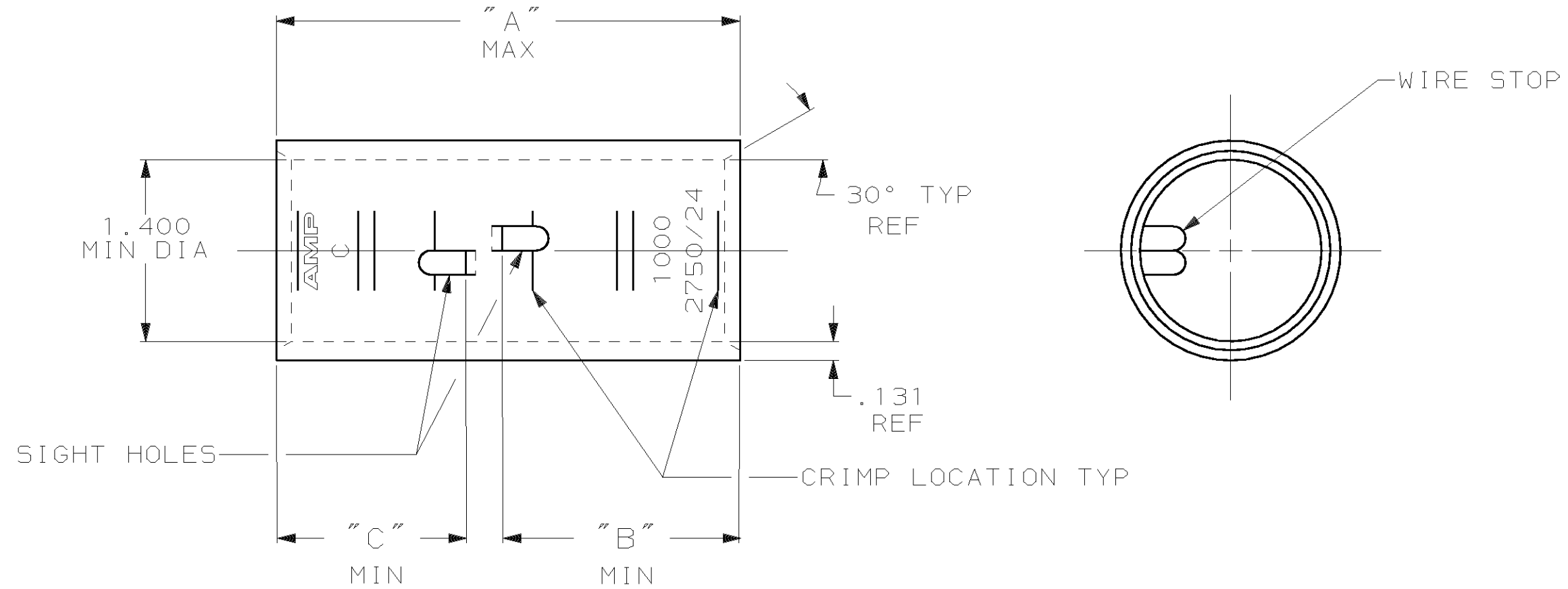


THIS DRAWING IS UNPUBLISHED. RELEASED FOR PUBLICATION, 19 .
 © COPYRIGHT 19 BY AMP INCORPORATED. ALL INTERNATIONAL RIGHTS RESERVED.

LOC	DIST	P	F	REVISIONS			DATE	APPD
G	86			ZONE	LTR	DESCRIPTION		
					R	REV PER 0G3A-0637-01	030CT02	JR/MS



- ① TIN PL .000150 MIN THK MIL-T 10727
- 2 WIRE RANGE: 950 - 1125 MCM
- ③ PART NO: 324471; .665 LB.
PART NO: 1-324471-0; .665 LB.
PART NO: 2-324471-1; .743 LB.
- ④ PREPRODUCTION - FASR REQ.

1.46	1.83	3.64	△	COPPER	△ 2-324471-1
1.46	1.46	3.27	CLEANED	ASTM-B-75	1-324471-0
"C"	"B"	"A"	△	ANNEALED	324471
			FINISH	MATERIAL	PART NO
DO NOT SCALE PRINT. UNLESS SPECIFIED DIMENSIONS IN INCHES TOLERANCES ON:			DR 4/24/89 DK SCHRUM	AMP AMP INCORPORATED Harrisburg, Pa. 17105	
2 PLC DEC ± -			CHK 4/24/89 MS FEHER		
3 PLC DEC ± -			APPD 11/8/89 WJ VOCKROTH	NAME SPLICE, BUTT, AMPOWER WIRE SIZE: 1000 MCM	
ANGLES ± -			APPD 11/8/89 TL SHUTTER		
MATERIAL			PRODUCT SPEC	SIZE	FSCM NO
SEE TABLE			-	B	00779
FINISH			APPLICATION SPEC	DRAWING NO	324471
SEE TABLE			-	SCALE	1:1
WEIGHT			△	SHEET	1 OF 1